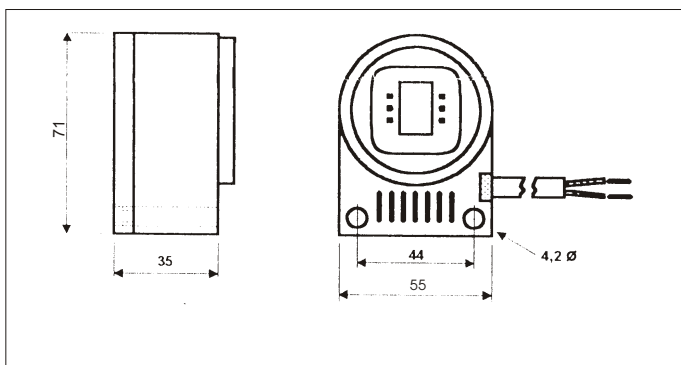
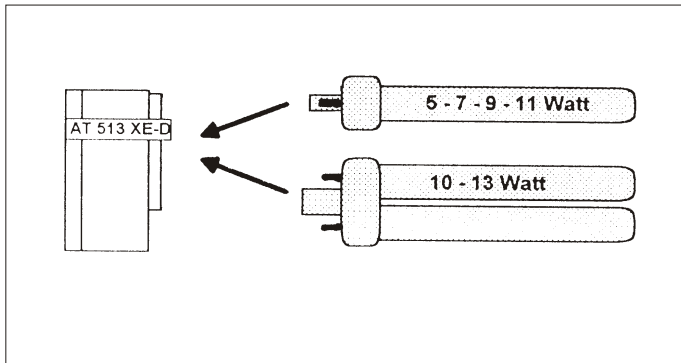


Electronic Ballast with integrated fixture


for use with compact fluorescent lamps

AT 513 XE - D



- Preheat Start
- flickerfree
- no noise
- low temperature of case
- extended lifetime of lamp
- for all Lamps 7 - 13 Watt
- 90° turnable fixture
- suitable for emergency lighting
- easy installation
- SEV - approved

Electronic ballast with integrated fixture for use with compact fluorescent lamps. Suitable for OEM as well as for refitting from incandescent lamps to energy saving compact fluorescent lamps.

Technical Data	
Type	AT 513 XE-D
Voltage	200 - 240 V AC (50 - 60 Hz), 198 - 300 V DC
Nominal lamp wattage	(5), 7, 9, 10, 11, 13 Watt
Socket	G 23, GX 24 d-1, GX 24 q-1
Loss	ca. 1,5 Watt
Operating temperature	-5° - + 50°
Weight	95 g
Length of supply cable	0,25 m (ask for longer cable)
Orientation	any
EMC	EN 60928, EN 55015, EN 61000-3-2/3, EN 61547
Standards met	SEV, CE, EN 60598-2-1
Colour	white
Extras	rectangular mounting, cable for low temperature start
All data according to best knowledge. Changes may occur without notice. Jan04	 ARCOTRONIC AG Forschung Licht- und Elektrotechnik Heinrichstr. 69, 8005 Zürich Telefon 01 / 271 29 91 01 / 271 63 10 Telefax 01 / 271 63 17